



# Instructions

## Pre-Load Shock Adjuster Knob

### NOTE

*BQUAZY recommends installation be done by qualified individuals.*

This replaces OEM #54000137 Knob

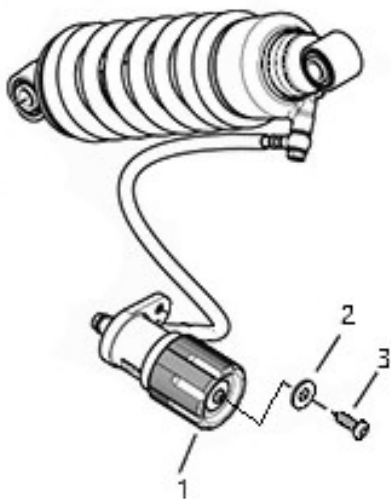
### Models

This Kit is designed to fit 2017 and up Softail models equipped with adjustable shocks.

### Kit Contents

- 1 - Knob
- 1 - Washer
- 1 - 10-32 Button Head Screw

- 1 - Pre-Load Shock Adjuster Knob
- 2 - Washer
- 3 - Screw



1. Remove stock Knob.  
  
See Figure 1
1. Install new Knob, Washer & Screw.
2. *We recommend using Blue Loctite® on the screw to help keep it secure.*

Figure 1